

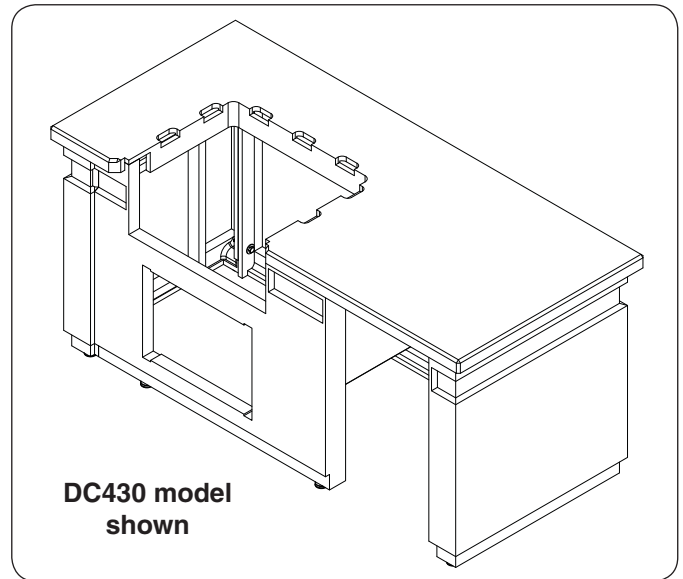


## GFRC ISLAND (STANDARD MODELS)

Model #s: D(C,H)430-XX(R,D)-75XX  
D(C,H)790-XX(R,D)-108XX

### ASSEMBLY INSTRUCTIONS AND OWNER'S MANUAL

**INSTALLER:** Leave these instructions with consumer.  
**CONSUMER:** Retain for future reference.



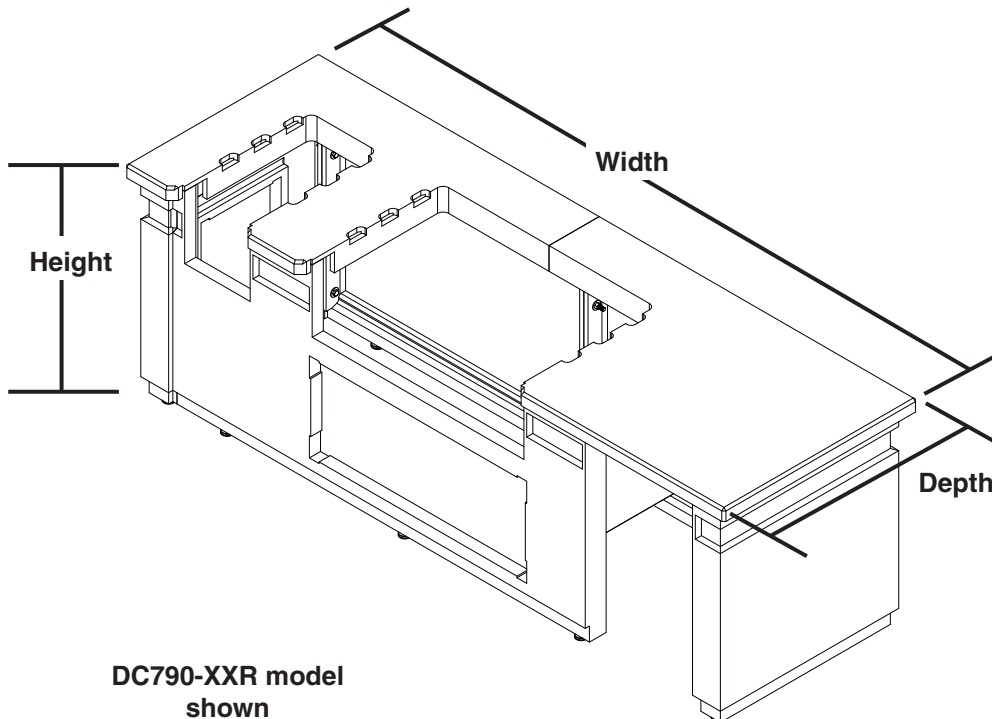
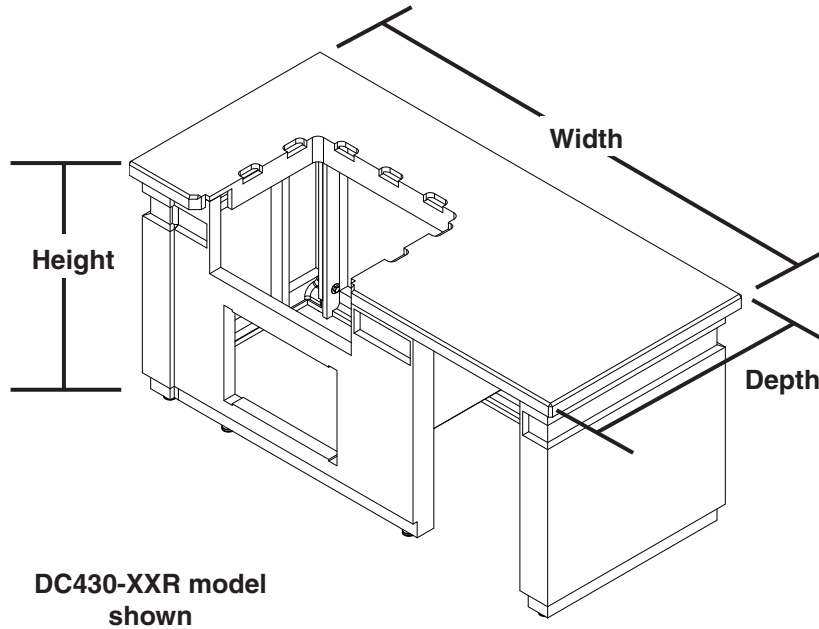
**IMPORTANT:** READ THESE INSTRUCTIONS CAREFULLY BEFORE STARTING INSTALLATION OR USE.

- Only Fire Magic/A.O.G. grills/griddles and accessories can be used with this island.
- Fire Magic/A.O.G. grill/griddle and accessories are not included. Contact your dealer for ordering information.
- When installing an L.P. cylinder within this island, it must be installed with a Fire Magic Door w/ Tank Tray and Louvers:  
*Model #s (2,3)3820-TS(L,R), 53820(H)SC-T(L,R), 23920-1T-S*
- **Follow all instructions included with the grill/griddle and accessories to be installed into this island.**
- This island design provides all necessary ventilation.
- Adapter kits are available to accommodate additional grills/griddles/accessories. Contact your dealer for ordering information.

# SPECIFICATIONS AND DIMENSIONS

Description	Dimension	
	D(C,H)430	D(C,H)790
Height	36"	36"
Width	76 1/4"	107 1/2"
Depth	34 3/4"	34 3/4"

**Table 1 - Overall Island Dimensions**



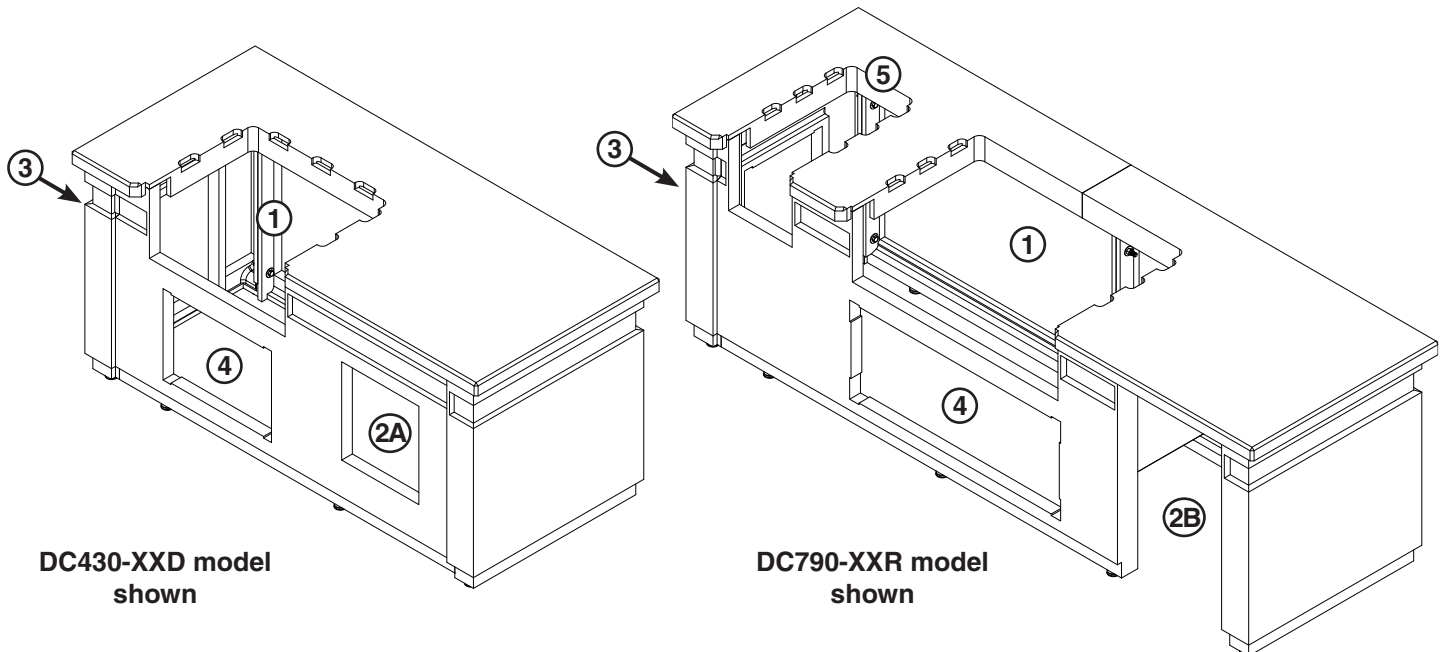
## SPECIFICATIONS AND DIMENSIONS (Cont.)

Only Fire Magic/A.O.G. grills/griddles and accessories can be used with this island. **Below is a list of the options available for each island model. Contact your local dealer for ordering information.**

Item		Option(s)	
		D(C,H)430	D(C,H)790
1.	Grill/Griddle	A430i, C430i, 24(N,P)B (w/adaptor kit)	(A,E,H)790i, (A,E)660i (w/adaptor kit), 36(N,P)B (w/adaptor kit)
2A.	Double Drawers	33802, 53802(H)SC	33802, 53802(H)SC
2B.	Refrigerator	3590A, 3590(H)-D(L,R), REF-20	3590A, 3590(H)-D(L,R), REF-20
3.	End Panel Door	23820-S, 23920-S, 23920-1-S, 23920-1T-S, 33820-S(L,R), 53820(H)SC-(L,R), 33820-TS(L,R), 53820(H)SC-T(L,R), 33920-S(L,R), 53920(H)SC-(L,R), 33920-1-S(L,R), 23920, 23920-1T, 23920-1	23820-S, 23920-S, 23920-1-S, 23920-1T-S, 33820-S(L,R), 53820(H)SC-(L,R), 33820-TS(L,R), 53820(H)SC-T(L,R), 33920-S(L,R), 53920(H)SC-(L,R), 33920-1-S(L,R), 23920, 23920-1T, 23920-1
4.	Under Grill Access Door	23914-S, 53914SC-(L,R), 33914-S(L,R), 23914	53938(H)SC, 33938S
5.	Double Side Burner	n/a	32814(H), 3281, 3282
6.	Grill/Griddle Adapter Kit †	AD-24C [for 24(N,P)B grill]	AD-36C [for 36(N,P)B grill], DC-AD-660 [for (A,E)660i grill/griddle]
7.	Side Burner Adapter Kit †	n/a	3282-AD (for 3282 side burner)
8.	Stainless Steel Gas Timer Box †	5520-11T, 5520-13T	5520-11T, 5520-13T

† not shown

**Table 2 - Island Options**



# PARTS LIST

Item	Description	D(C,H)430-XXD	D(C,H)430-XXR
		Qty.	Qty.
1.	Rear wall	1	1
2.	Left wall	1	1
3.	Right wall	1	1
4.	Front wall	1	1
5.	Duplex outlet box assy.	2	2
6.	Heat shield	0	1
7.	Countertop	1	1
8.	Power supply box bracket (w/ Phillips screws)	1	1
9.	Outlet bracket	1	1
10.	Door bracket (w/ hex screw)	12	8
11.	Leveler bolts	8	8
12.	Hardware kit A * †	8	6
13.	Timer box screws *	4	4

\* not shown  
† each kit contains: (1) 1/2"-13 x 3" bolt, (1) nut, (2) washers

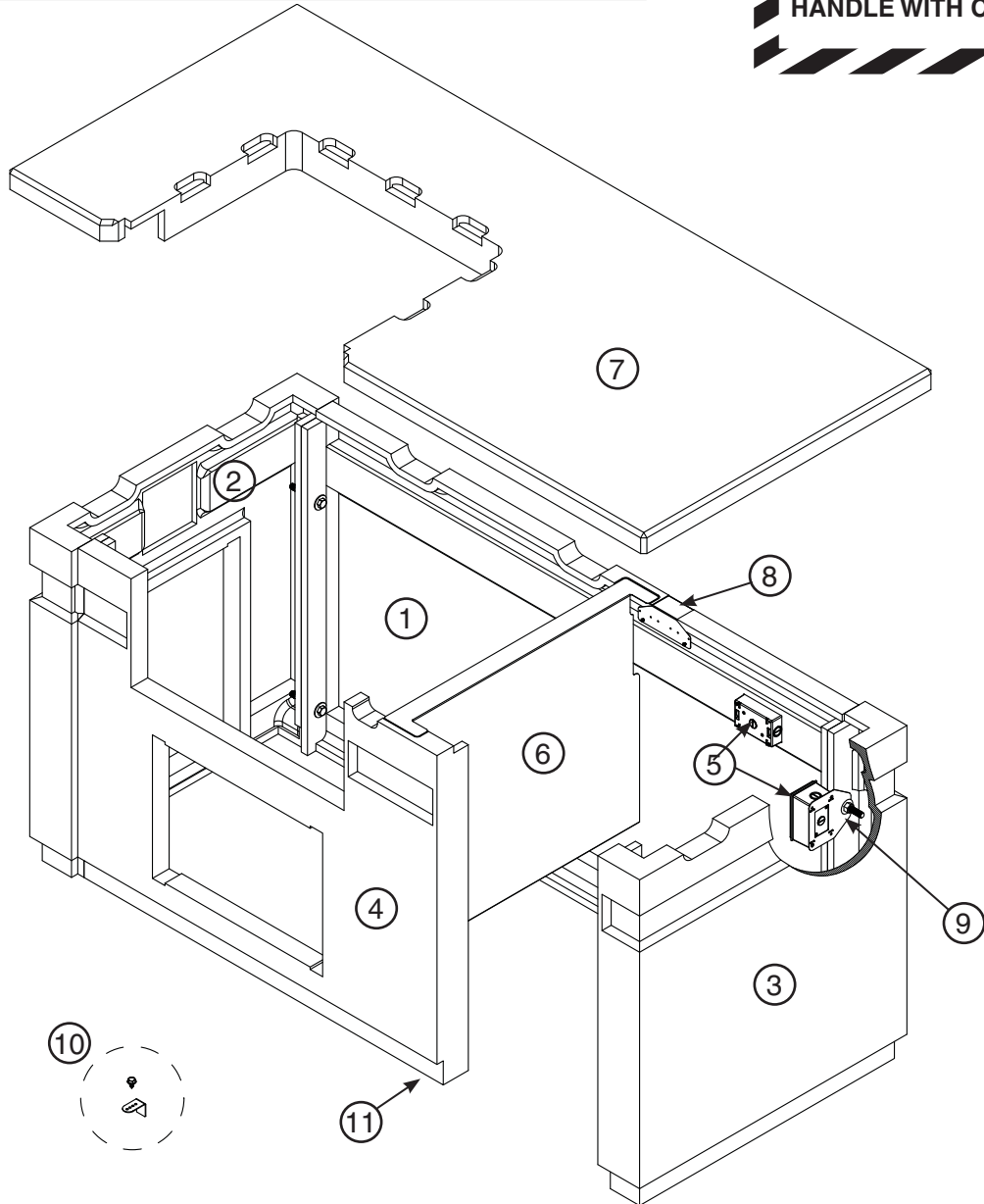
- Your island is packaged onto 1 pallet.
- Select model is illustrated (your model may vary)

**IMPORTANT**

**Remove all packing material (including any protective coatings) and discard prior to use.**

**COMPONENTS ARE HEAVY**

**HANDLE WITH CARE**

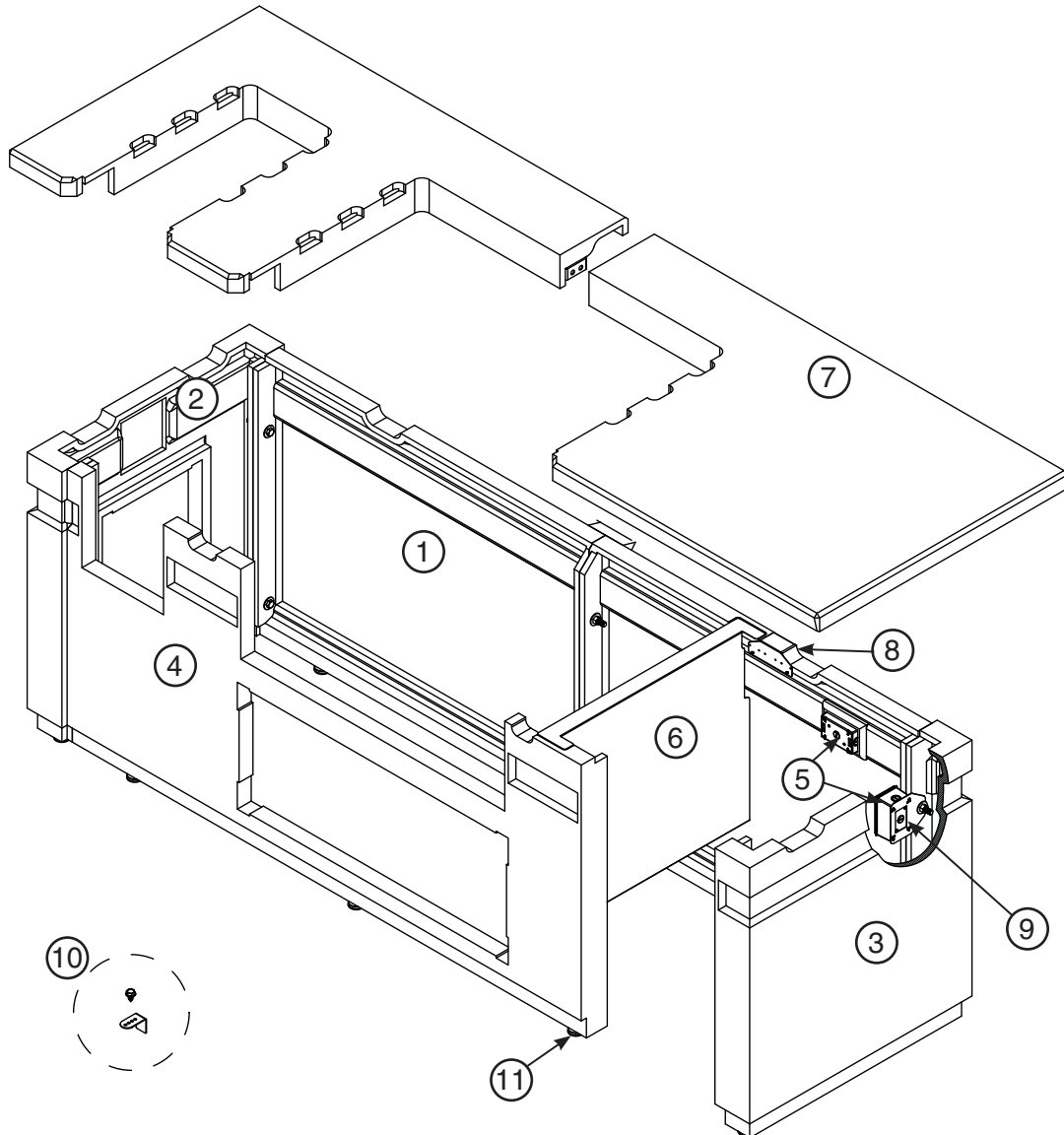


**DC430-XXR  
model shown**

## PARTS LIST (CONT.)

Item	Description	D(C,H)790-XXD	D(C,H)790-XXR
		Qty.	Qty.
1.	Rear wall (2 wall pieces and 1 column)	1	1
2.	Left wall	1	1
3.	Right wall	1	1
4.	Front wall (complete wall or 2 wall pieces and 2 beams)	1	1
5.	Duplex outlet box assy.	2	2
6.	Heat shield	0	1
7.	Countertop (2 pieces)	1	1
8.	Power supply box bracket (w/ Phillips screws)	1	1
9.	Outlet bracket	1	1
10.	Door bracket (w/ hex screw)	16	12
11.	Leveler bolts	14	11
12.	Hardware kit A * †	10	8
13.	Hardware kit B * ‡	6	2
14.	Timer box screws *	4	4

\* not shown  
† each kit contains: (1) 1/2"-13 x 3" bolt, (1) nut, (2) washers  
‡ each kit contains: (1) 1/2"-13 x 2" bolt, (1) nut



**DC790-XXR**  
**model shown**

## ASSEMBLY AND INSTALLATION

**WARNING:** Failure to position the parts in accordance with these diagrams or failure to use only parts specifically approved with this unit may result in property damage or personal injury.

### TOOLS REQUIRED

- $\frac{3}{4}$ " open end wrench, or equivalent (2)
- Power drill with  $\frac{5}{16}$ " hex driver and #2 Phillips driver
- Level
- Flathead screwdriver

### LOCATION

While following all requirements and safety information in the owner's manuals included with your products, determine and prepare the location of the island (a hard and level surface).

**Note:** A combustible surface is permitted.

**Important:** The gas supply and electrical setup must be considered when determining the location of the island. Refer to all owner's manuals included with your products for details (as applicable).

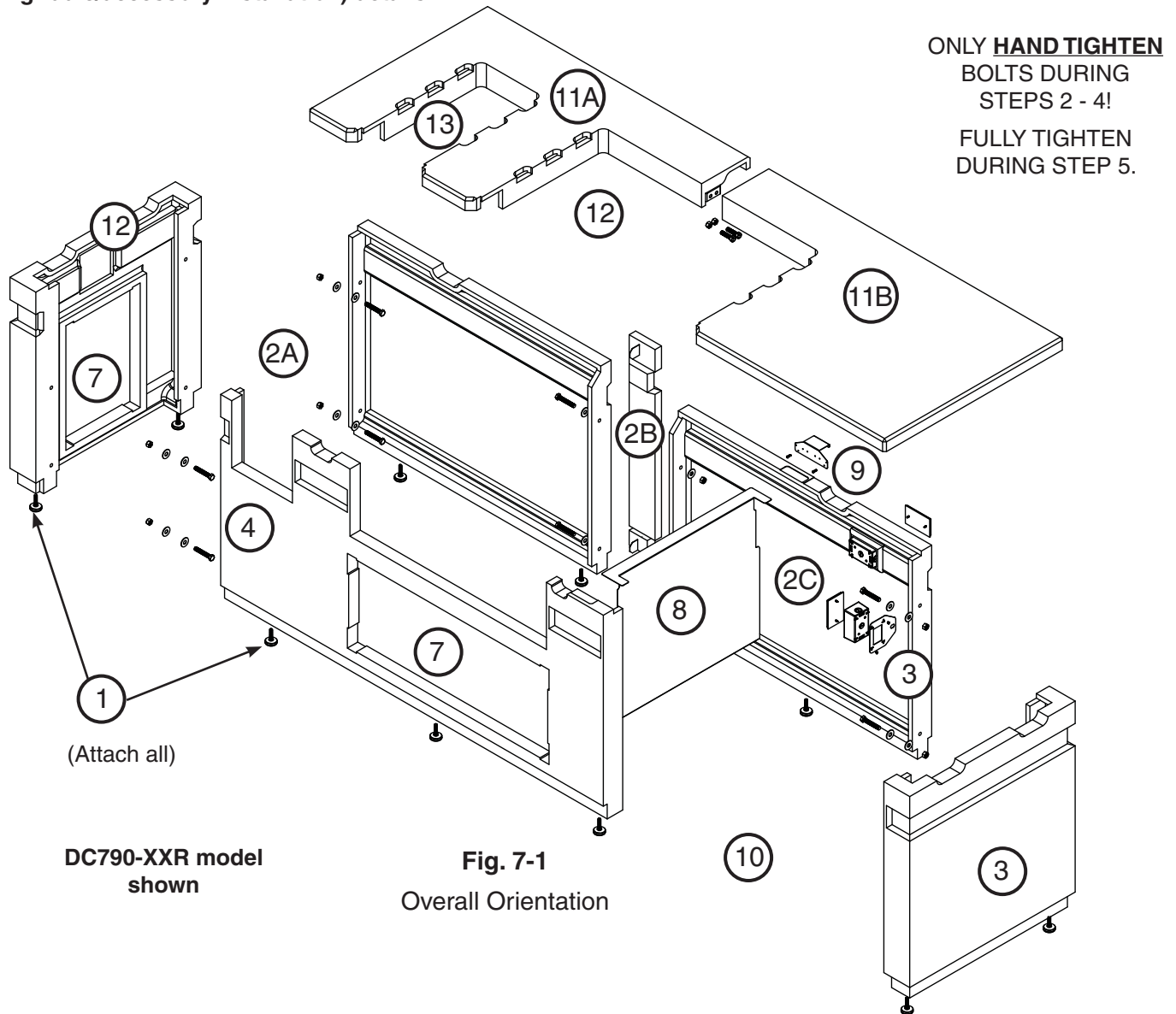
**ASSEMBLY AND INSTALLATION REQUIRES TWO OR MORE PEOPLE.  
EXERCISE EXTREME CARE DURING ASSEMBLY AND INSTALLATION.**

## ASSEMBLY AND INSTALLATION (Cont.)

### ASSEMBLY AND INSTALLATION OVERVIEW - REFRIGERATOR MODELS

**CAUTION:** Island components are heavy. **CAREFULLY** handle all components during assembly.

- Fig. 7-1 provides an overall orientation and bolt assembly detail for the island with refrigerator. (DC790 model shown. Assembly may slightly vary depending on island selected.)
- The DX430 assembles in a similar manner.
- Only DX790 models have a double sideburner cutout, a multi-piece countertop, and a multi-piece rear wall.
- **This section is just an overview, refer to the following step-by-step section for complete assembly (and grill/griddle/accessory installation) details.**



DC790-XXR model shown

Fig. 7-1  
Overall Orientation

#### ASSEMBLY / INSTALL OVERVIEW

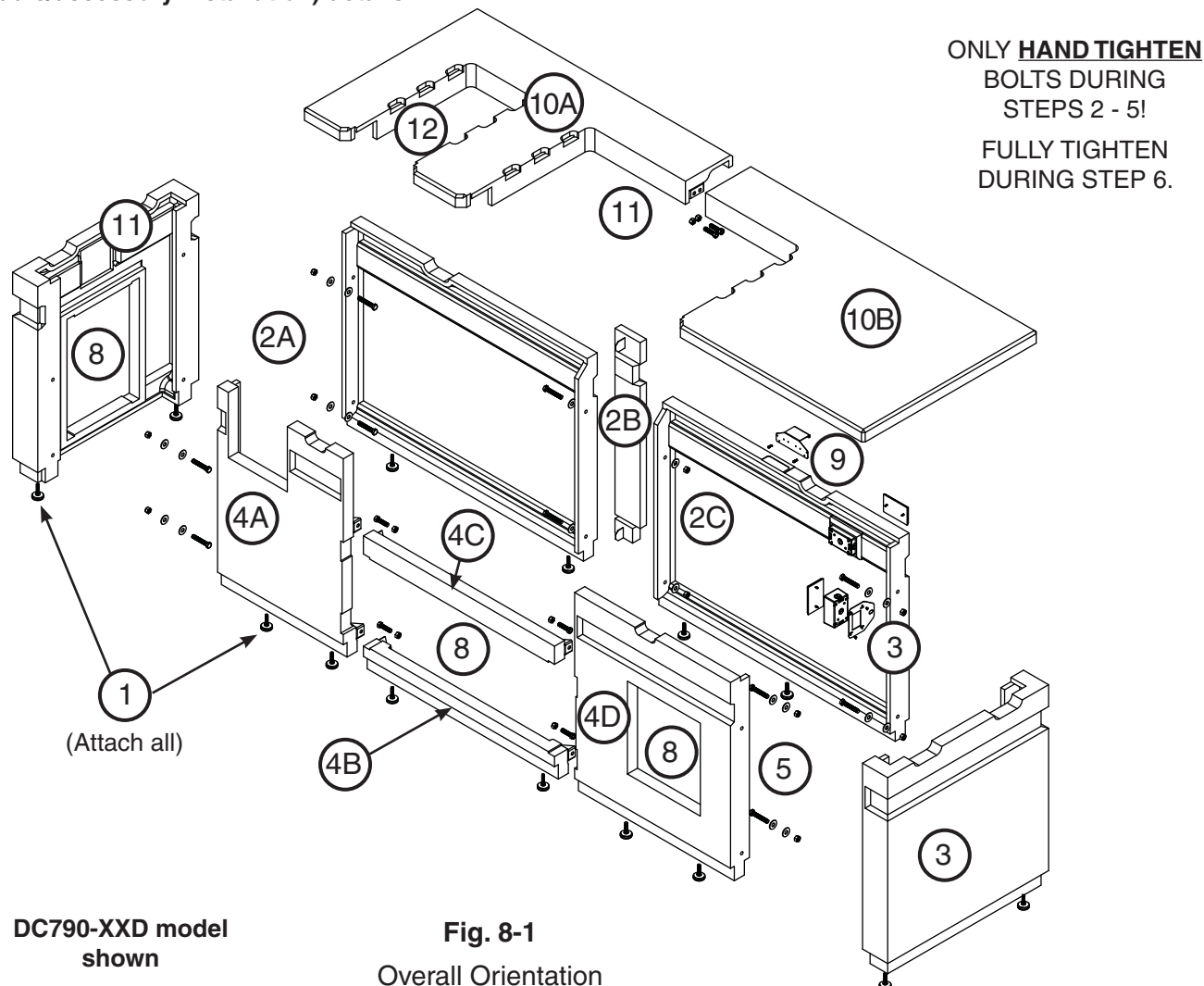
- |   |   |  |
|---|---|--|
| <p><b>1.</b> Attach all levelers</p> <p><b>2.</b> Assemble left side wall &amp; rear wall<br/><u>DX790 models:</u> rear wall consists of left piece (2A), column (2B), and right piece (2C)</p> <p><b>3.</b> Assemble right side wall &amp; install outlet box</p> <p><b>4.</b> Assemble front wall</p> | <p><b>5.</b> Adjust levelers to level top surfaces of unit evenly, ensure unit is square, then fully tighten all bolts (not shown)</p> <p><b>6.</b> Install electrical (not shown)</p> <p><b>7.</b> Install doors</p> <p><b>8.</b> Place heat shield</p> <p><b>9.</b> Install power supply box (only bracket shown)</p> | <p><b>10.</b> Install refrigerator</p> <p><b>11.</b> Place countertop<br/><u>DX790 models:</u> countertop consists of left piece (11A), right piece (11B), and requires assembly</p> <p><b>12.</b> Install grill/griddle and timer box</p> <p><b>13.</b> Install double sideburner (if applicable)</p> |
|---|---|--|

## ASSEMBLY AND INSTALLATION (Cont.)

### ASSEMBLY AND INSTALLATION OVERVIEW - DOUBLE DRAWER MODELS

**CAUTION:** Island components are heavy. **CAREFULLY** handle all components during assembly.

- Fig. 8-1 provides an overall orientation and bolt assembly detail for the island with double drawers. (DC790 model shown. Assembly may slightly vary depending on island selected.)
- The DX430 assembles in a similar manner.
- Only DX790 models have a double sideburner cutout, a multi-piece countertop, and at least one multi-piece wall.
- **This section is just an overview, refer to the following step-by-step section for complete assembly (and grill/griddle/accessory installation) details.**



**Fig. 8-1**  
Overall Orientation

#### ASSEMBLY / INSTALL OVERVIEW

- |  |  |  |
|--|--|--|
| <p><b>1.</b> Attach all levelers</p> <p><b>2.</b> Assemble left side wall &amp; rear wall<br/><u>DX790 models:</u> rear wall consists of left piece (2A), column (2B), and right piece (2C)</p> <p><b>3.</b> Assemble right side wall &amp; install outlet box</p> | <p><b>4.</b> Assemble front wall<br/><u>DX790 models:</u> front wall consists of left piece (4A), bottom beam (4B), top beam (4C), and right piece (4D)</p> <p><b>5.</b> Assemble front wall to right side wall</p> <p><b>6.</b> Adjust levelers to level top surfaces of unit evenly, ensure unit is square, then fully tighten all bolts (not shown)</p> <p><b>7.</b> Install electrical (not shown)</p> | <p><b>8.</b> Install drawer and doors</p> <p><b>9.</b> Install power supply box (only bracket shown)</p> <p><b>10.</b> Place countertop<br/><u>DX790 models:</u> countertop consists of left piece (10A), right piece (10B), and requires assembly</p> <p><b>11.</b> Install grill/griddle and timer box</p> <p><b>12.</b> Install double sideburner (if applicable)</p> |
|--|--|--|



## ASSEMBLY AND INSTALLATION (Cont.)

### ASSEMBLY AND INSTALLATION - STEP BY STEP

**CAUTION:** Island components are heavy. CAREFULLY handle all components during assembly.

**Important:** DO NOT fully tighten any bolts until the island base is leveled and squared. Hand tighten until instructed to fully tighten.

**Note:** Various DC430 and DC790 models are depicted here. Your assembly may slightly vary depending on model selected.

### Attach Levelers

1. Locate the island pieces in an appropriate location (refer back to the LOCATION section if needed).
2. Carefully lay down all pieces that make up the island base and attach the levelers (see Fig. 9-1).

**Important:** The levelers are required for ventilation and leveling purposes.

### Assemble Left Side and Rear Wall

#### DX430 Models (1 piece rear wall)

1. Orient the left side wall and rear wall as shown. Carefully align the pilot holes, and insert the hardware (hardware kit A) in the order shown. Hand tighten only. See Fig. 9-2.

#### DX790 Models (multi-piece rear wall)

1. Orient the left side wall and rear wall left piece as shown. Carefully align the pilot holes, and insert the hardware (hardware kit A) in the order shown. Hand tighten only. See Fig. 9-2, A.
2. Install the column by placing its tabs between the rear wall left and right pieces (see Fig. 9-2, B).
3. With the column in place, assemble the rear wall pieces. Repeat the hardware installation process (hardware kit A). Hand tighten only. See Fig. 9-2, C.

### Assemble Right Side Wall and Install Outlet Box

1. Orient the right side wall and repeat the hardware installation process (hardware kit A) for the bottom hardware first. Ensure the top pilot holes are also aligned. Hand tighten only. See Fig. 9-3, A.

An outlet box assembly is provided and requires installation. Assemble the box as shown (using a flathead screwdriver), then repeat the hardware installation process to secure both the top of the right wall and the outlet box in place. Hand tighten only. See Fig. 9-3, B and Fig. 9-4.

**Note:** Covers are provided for any outlets that will not be used (if applicable).

Installation continued on next page

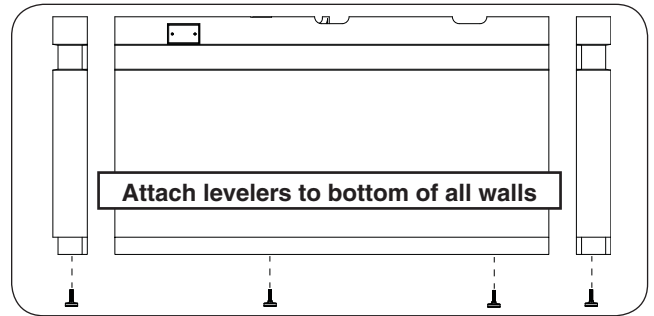


Fig. 9-1 Attach levelers

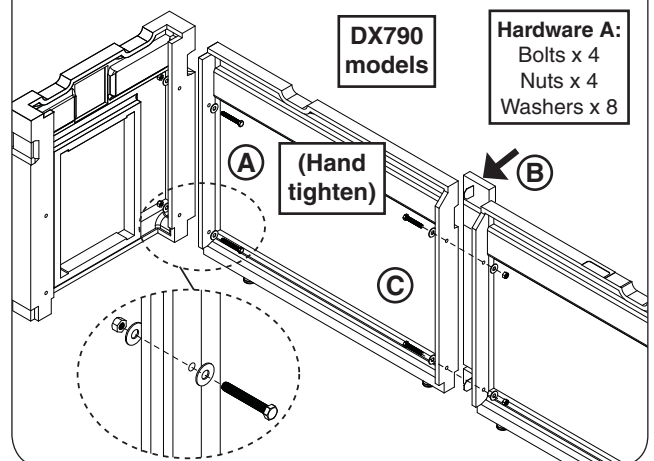
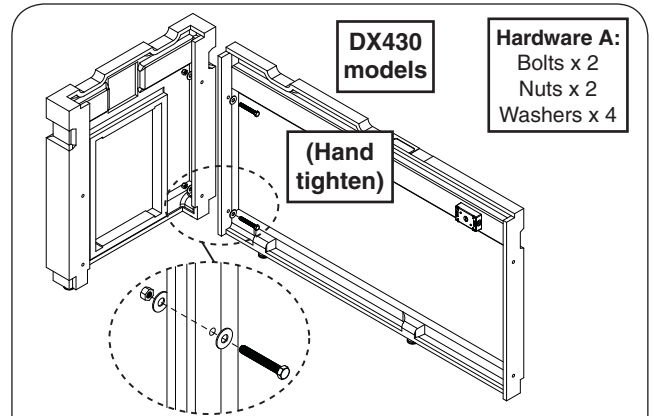


Fig. 9-2 Assemble left side and rear wall

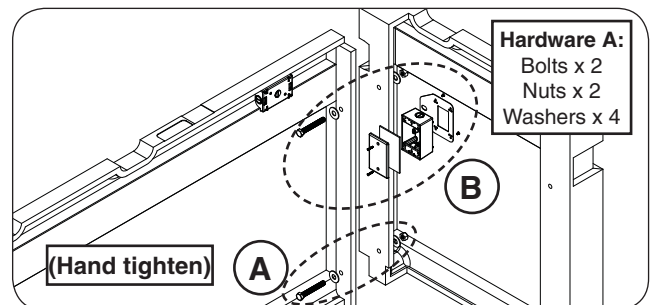


Fig. 9-3 Assemble right side wall and outlet box

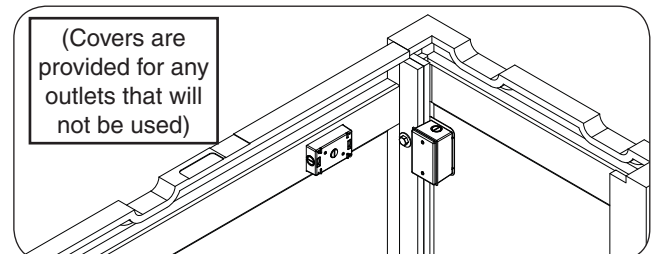


Fig. 9-4 Right side wall and outlet box installed

## ASSEMBLY AND INSTALLATION (Cont.)

### Assemble Front Wall

#### DX430 & DX790-XXR Models (1 piece front wall)

1. Orient the front wall and repeat the hardware installation process (hardware kit A). Hand tighten only. See Fig. 10-1.

#### DX790-XXD Models (multi-piece front wall)

1. Orient the front wall left piece and repeat the hardware installation process (hardware kit A). Hand tighten only. See Fig. 10-2.
2. Orient the bottom beam as shown. Carefully align the pilot holes, and insert the hardware (hardware kit B) in the order shown. Hand tighten only. See Fig. 10-3, A.
3. Orient the top beam and repeat the hardware installation process (hardware kit B). Hand tighten only. See Fig. 10-3, B.

**Note:** Ensure the beam is flush with the front wall when tightening.

4. Orient the front wall right piece and repeat the hardware installation process to fasten it to the right side wall (hardware kit A), and then to the beams (hardware kit B). Hand tighten only. See Fig. 10-4 and Fig. 10-5.

Installation continued on next page

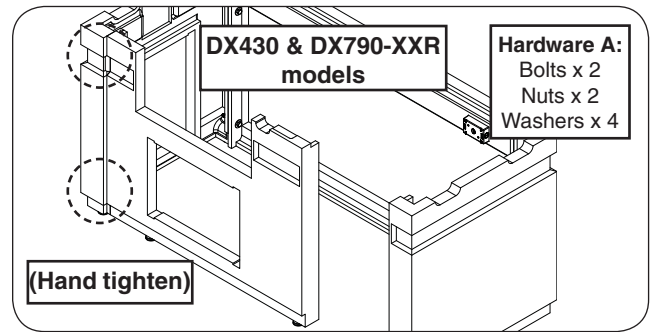


Fig. 10-1 Assemble front wall

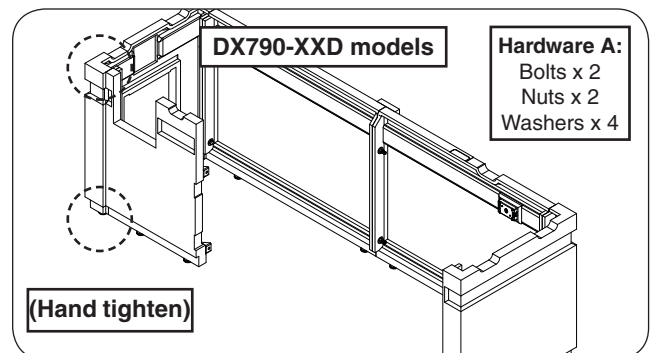


Fig. 10-2 Assemble front wall (left piece)

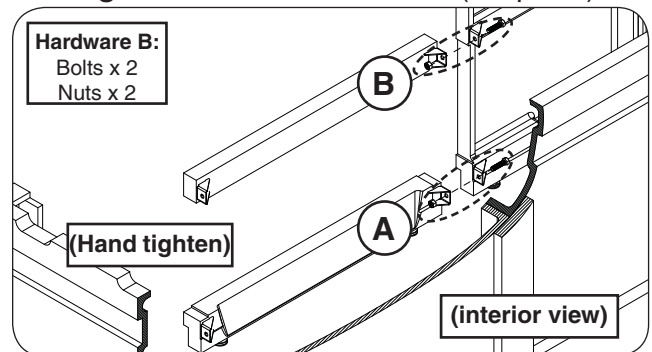


Fig. 10-3 Assemble top and bottom beams

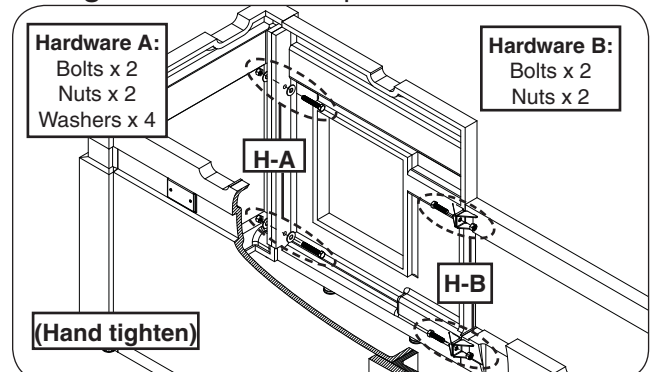


Fig. 10-4 Assemble front wall (right piece)

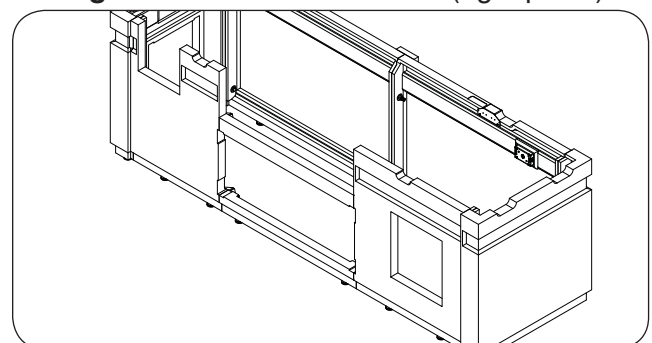


Fig. 10-5 Front wall assembled

## Level Island Base

1. Use the level to ensure the top surfaces of the assembly are level. The levelers at the bottom of the island may be adjusted as needed. See Fig. 11-1.
2. Check for squareness of the island.
  - a. Measure the X outer dimension, see Fig. 11-2. It should be approximately:
    - DC430 models: 79  $\frac{3}{4}$ "
    - DC790 models: 108  $\frac{3}{4}$ "
  - b. Measure the Y outer dimension, see Fig. 11-2. Carefully adjust the side walls as needed to ensure the X & Y dimensions are equal. (The final dimension may slightly vary from that mentioned in step a.)
  - c. Measure the Z outer dimension, see Fig. 11-2. It should be approximately 30  $\frac{1}{2}$ ".
3. **Once the assembly is level and square, use the two  $\frac{3}{4}$ " open end wrenches (or equivalent) to fully tighten all hardware. DO NOT OVERTIGHTEN.**

**Note:** Tightening of the hardware may slightly alter the setup. Check once more to ensure the island is level and square, and adjust if needed.

## Install Electrical

Have a licensed electrician route the electrical setup for your island. Two outlet boxes are available. The primary box is located on the interior of the right wall. An additional box exists at the top of the rear wall. See Fig. 11-3.

Your installation may vary. **Follow all instructions included with the grill/griddle and accessories to be installed into this island. Observe the National Electric Code and all local codes.**

Installation continued on next page

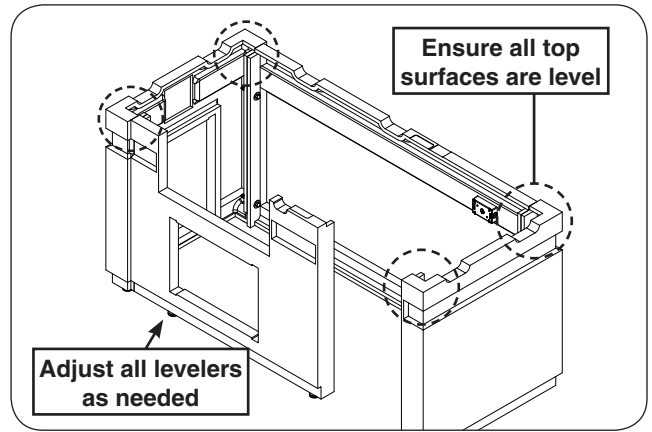


Fig. 11-1 Level assembly

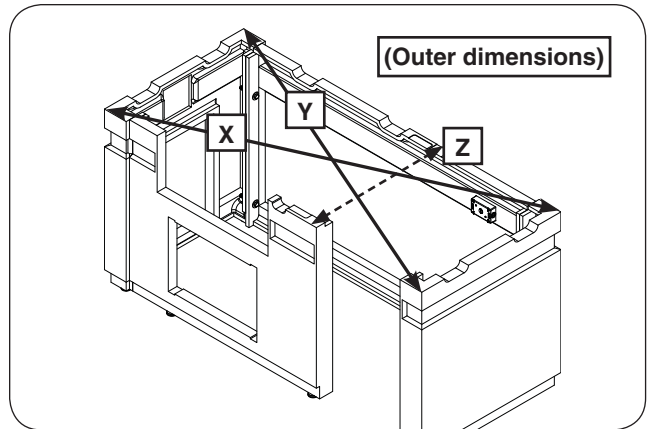


Fig. 11-2 Square unit (then tighten bolts)

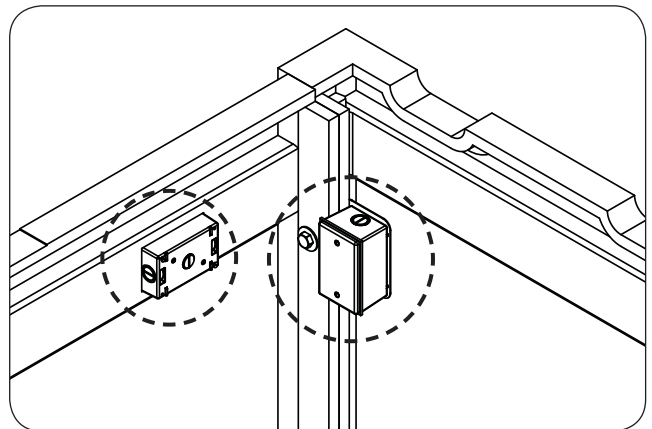


Fig. 11-3 Install electrical (as needed)

## ASSEMBLY AND INSTALLATION (Cont.)

### Install Drawers and/or Doors

The drawers/doors for your island are purchased separately. Review the instructions provided with your accessories. See Fig. 12-1 for install locations.

Brackets are provided for ease of installation in this island.  
Follow the steps below.

1. Insert your drawer/ door completely into the appropriate opening. Ensure it is flush against the exterior wall (see Fig. 12-1 and Fig. 12-2, step 1).
2. The door will have 2 oblong cutouts (or round holes) on both the top and bottom of its frame. Insert a bracket where a cutout exists, **below the frame**. See Fig. 12-2, step 2.
3. While squeezing the rear of the bracket and the front of the door frame **firmly** against the concrete wall, insert a hex screw and tighten with the power drill and 5/16" hex driver (see Fig. 12-2, step 3). **DO NOT OVERTIGHTEN**

**Note:** Certain models may require a second person to hold the bracket against the concrete wall from within the island enclosure.

4. Repeat this process for the remaining brackets and the remaining drawers/doors in the island.

**Note:** Only the cutouts in the top and bottom of the frames require brackets.

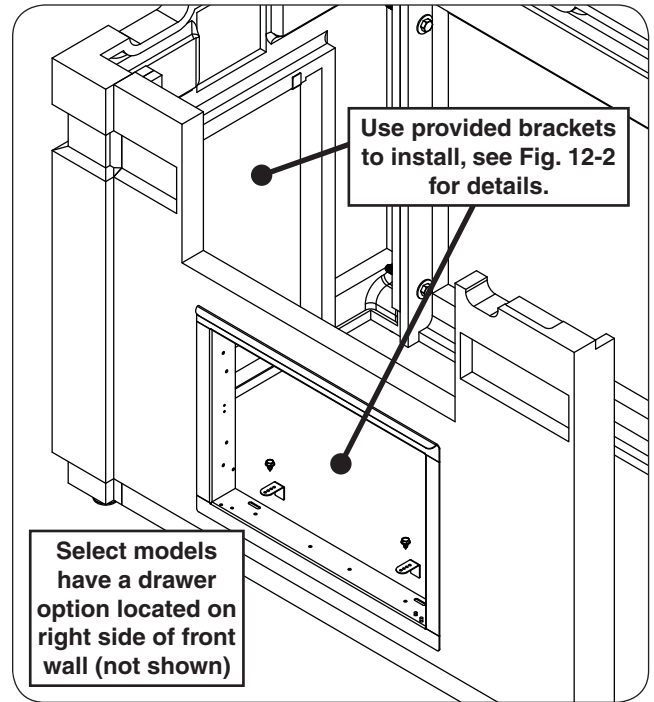


Fig. 12-1 Door / drawer install locations

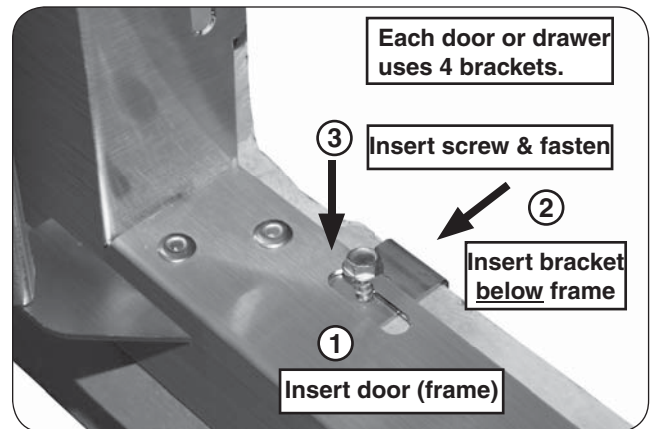


Fig. 12-2 Door / drawer install detail

Installation continued on next page

## Place Heat Shield (if equipped)

Place the heat shield as shown in Fig. 13-1. It will need to be inserted at an angle to clear the island (A). Then turn it (within the island slots) until it is perpendicular with the front and rear walls (B). Locate the heat shield in place by using the grooves found on the top of the front and rear walls (C).

## Install Power Supply Box

A power supply box is included with your grill/griddle and requires installation.

**CAUTION:** Refer to the grill/griddle owner's manual for all safety information regarding the power supply box.

A bracket is provided for installation in this island. Follow the steps below.

1. **First** place the power supply box bracket over the rear wall, in the groove just to the right of the heat shield (see Fig. 13-2).
2. Align the pilot holes on the power supply box with the holes on the bracket, then insert the two Phillips screws and tighten with the power drill and #2 Phillips driver (see Fig. 13-2). **DO NOT OVERTIGHTEN.**

**Note:** Power supply box design may vary.

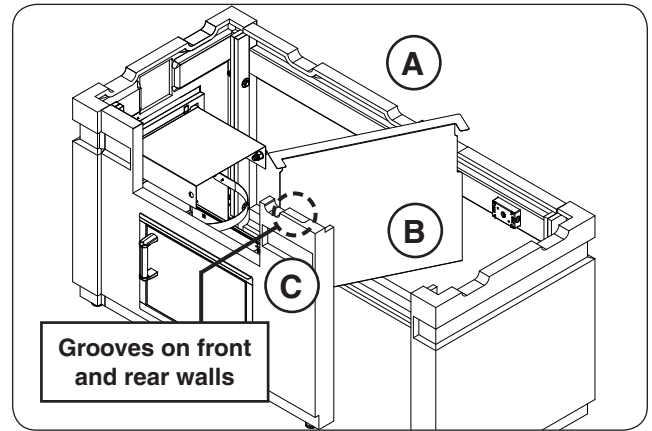
3. Once the box is installed, route the box wire along the heat shield and into the grill/griddle area (for future grill/griddle installation). See Fig 13-3.

## Install Refrigerator (if applicable)

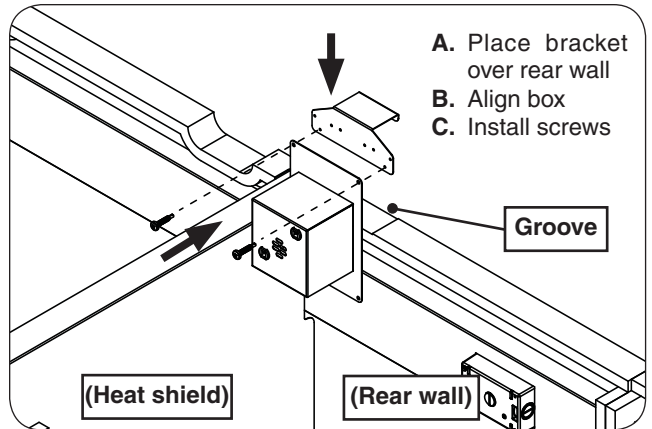
The refrigerator for your island is purchased separately. Review the instructions provided with your accessory.

In addition to all information found in the owner's manual, simply slide the refrigerator and plug it into the island electrical outlet (see Fig. 13-4).

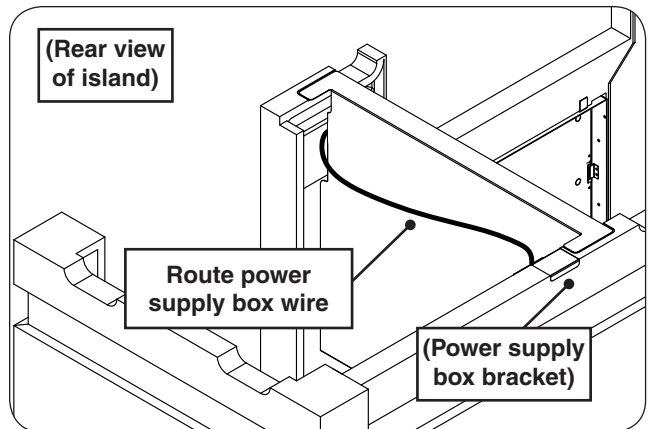
Installation continued on next page



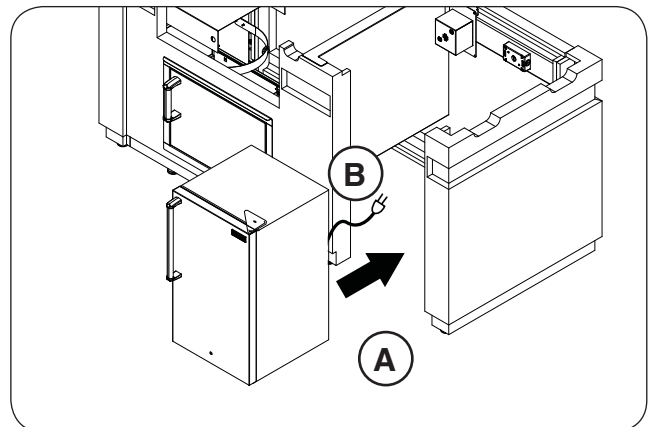
**Fig. 13-1** Place heat shield (as applicable)



**Fig. 13-2** Install power supply box



**Fig. 13-3** Route power supply box wire



**Fig. 13-4** Install refrigerator (as applicable)



## Place Countertop

### DX430 Models (1 piece countertop)

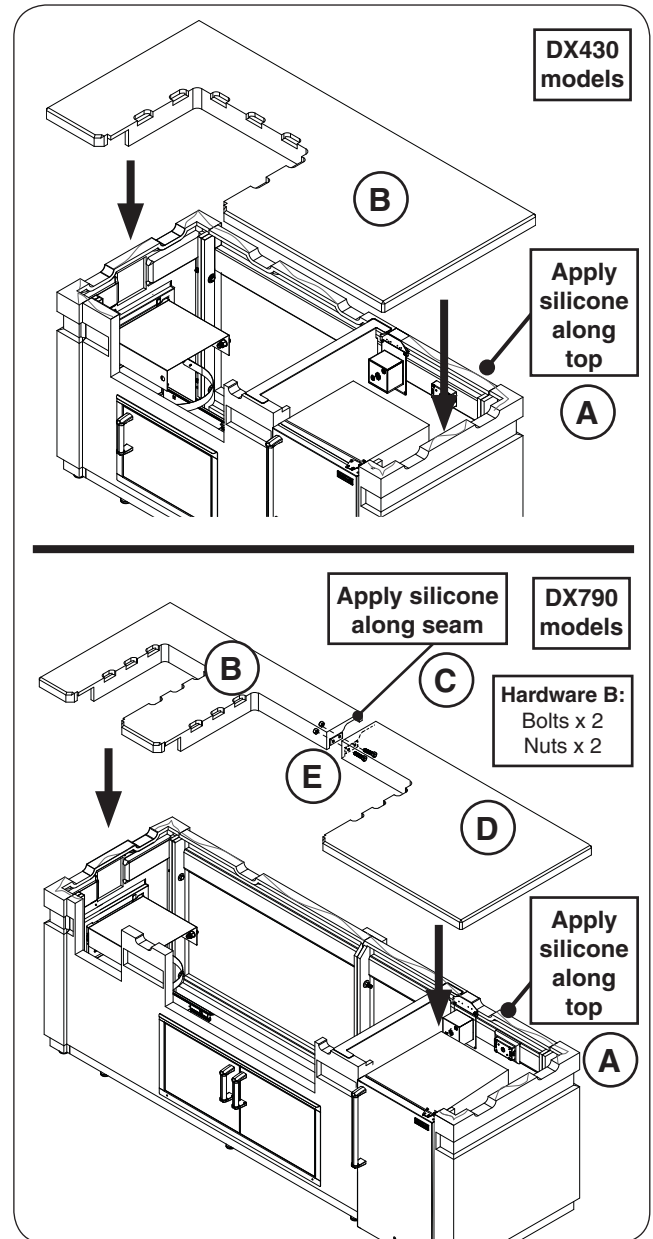
1. Apply silicone along the top of the island (see Fig. 14-1, A).
2. Place the countertop onto the island as shown in Fig. 14-1, B. (Be sure to align the cutout in the countertop with the opening in the front wall.)

### DX790 Models (multi-piece countertop)

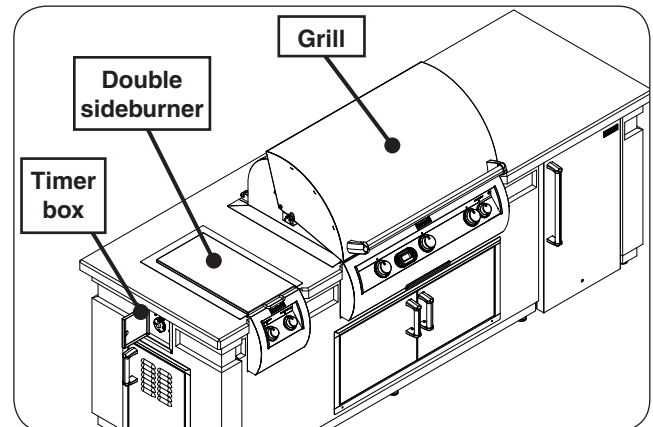
1. Apply silicone along the top of the island (see Fig. 14-1, A).
2. Place the countertop left piece onto the island as shown in Fig. 14-1, B. (Be sure to align the cutouts in the countertop with the openings in the front wall.)
3. Apply silicone along the countertop seam (see Fig. 14-1, C).
4. Place the countertop right piece onto the island as shown in Fig. 14-1, D. (Be sure to align the cutout in the countertop with the opening in the front wall.)
5. Repeat the hardware installation process (hardware kit B) and use two  $\frac{3}{4}$ " open end wrenches (or equivalent) to tighten (see Fig. 14-1, E).

## Install Grill/Griddle, Double Sideburner, and Timer Box (as applicable)

The grill/griddle, double sideburner, and timer box for your island are purchased separately. Follow all instructions provided with your grill/griddle, timer box, (and double side burner if applicable) for installation. See Fig. 14-2 for install locations.



**Fig. 14-1** Place / assemble countertop



**Fig. 14-2** Install grill/griddle, timer box, (and sideburner if applicable)

## CARE AND CLEANING

- **Keep the vent openings and surrounding area of the of the unit clean and free at all times.**
- For grill/griddle and accessory care and cleaning, refer to the owner's manuals provided with the units.

### CONCRETE COMPONENTS

As with any surface, concrete components require regular maintenance and care. Certain guidelines must be followed to preserve the concrete's appearance and structural integrity.

- Use trivets to protect your countertop from high-heat.
- **Scratches may occur due to usage.** To minimize, avoid striking or dragging heavy, rough, or sharp objects across the countertop. Use a cutting board when using knives.
- **Spotting and hairline cracks may occur due to the nature of the product and are not considered a manufacturing defect.**
- **Concrete products are porous and susceptible to discoloration from liquids (especially oils and acidic substances).** During use, clean up any spills immediately to prevent any possible staining or damage to the finish. Avoid allowing water (or any liquid / substance) to stand on the surface. Using coasters for drinks is highly recommended.
- After each use, clean up any food particles or debris.
- **To clean the concrete, first wash with a mild soap and water solution. For stubborn stains, a vinyl brush may be used. Allow to dry. Annually, follow up with a masonry sealer in order to preserve the finish.**
- It should be noted that, like natural stone, concrete products will develop a patina when left outside. No two concrete products are identically the same and the finish will vary.

